
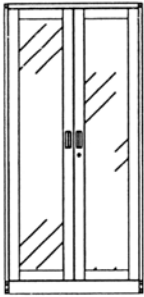

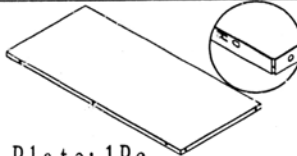
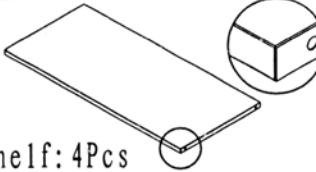

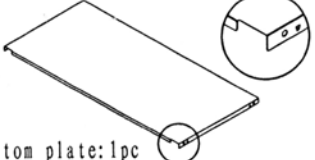



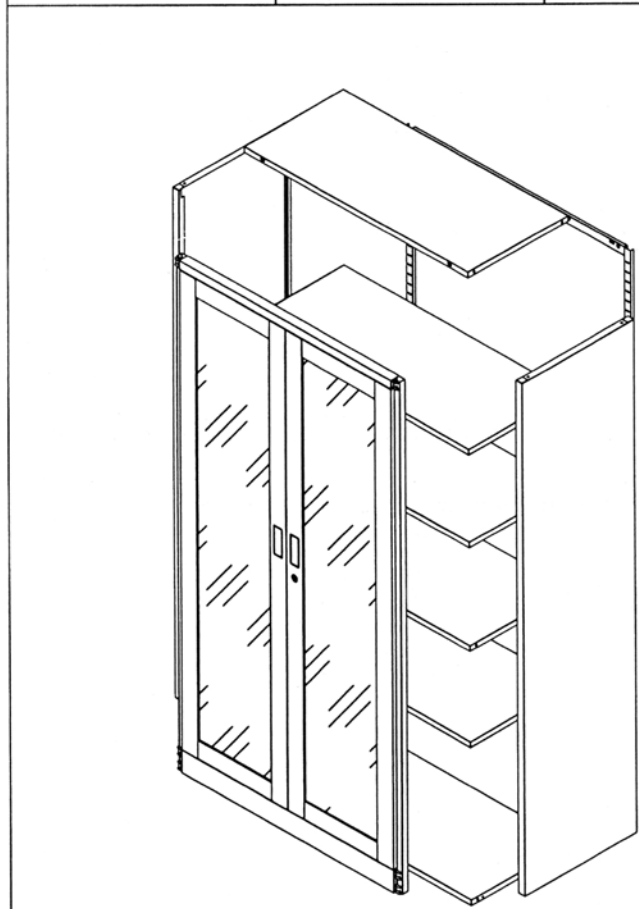
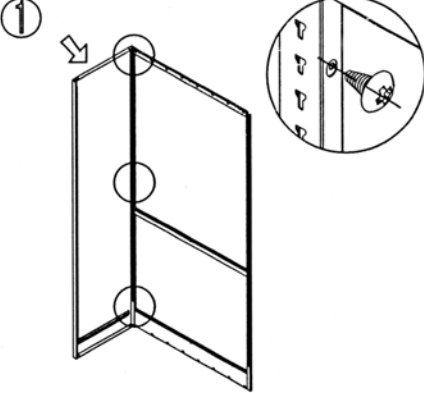
 <p>Left Side: 1Pc</p>	 <p>Right Side: 1Pc</p>	 <p>Door Frame: 1Pc</p>	 <p>Back Plate: 1Pc</p>	 <p>Top Plate: 1Pc</p>	 <p>Shelf: 4Pcs</p>	 <p>Self-tapping Screw (5x12): 12Pcs</p>
				 <p>Bottom plate: 1pc</p>	 <p>Shelf Locking Clip: 16Pcs</p>  <p>Shelf Holder: 16Pcs</p>	 <p>Key: 1 Set</p>



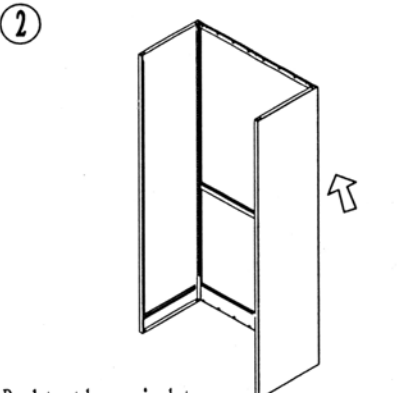
www.blax.hu

①



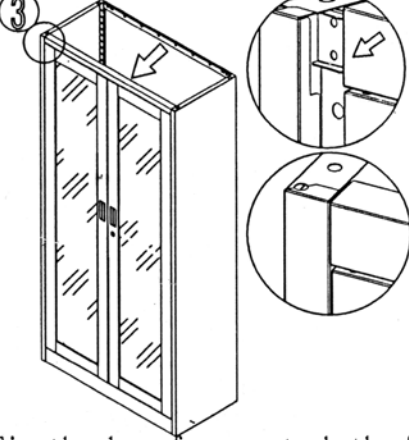
Bolt the left side and back plate with self-tapping screws (5x12)

②



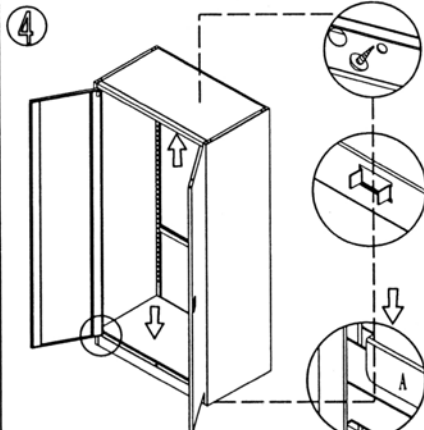
Bolt the right plate and back plate in the same way as the first step

③



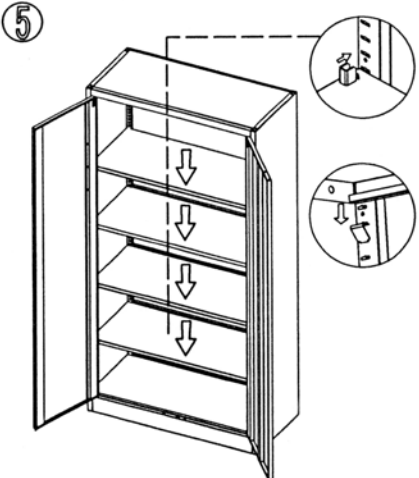
Fix the door frame onto both of the side plates

④



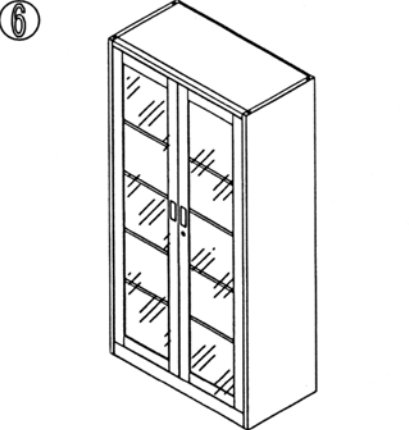
Install the top and bottom plate respectively

⑤



Install the shelves.

⑥



Adjust each parts till fit well after installation