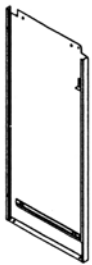
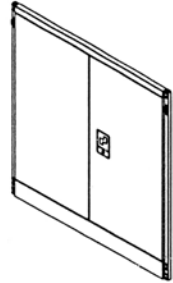


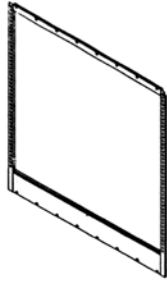
Left Side: 1Pc



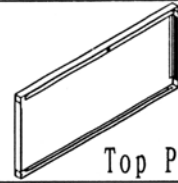
Right Side: 1Pc



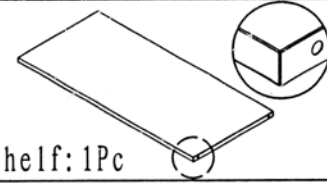
Door Frame: 1Pc



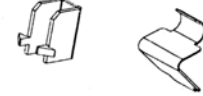
Back Plate: 1Pc



Top Plate: 1Pc Shelf: 1Pc



Bottom plate: 1Pc



Shelf Holder: 4pcs

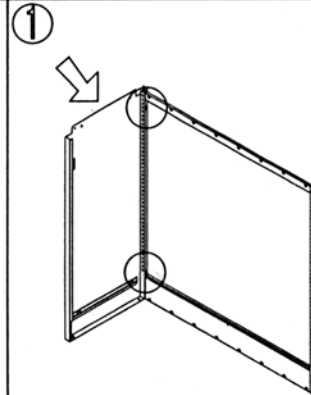
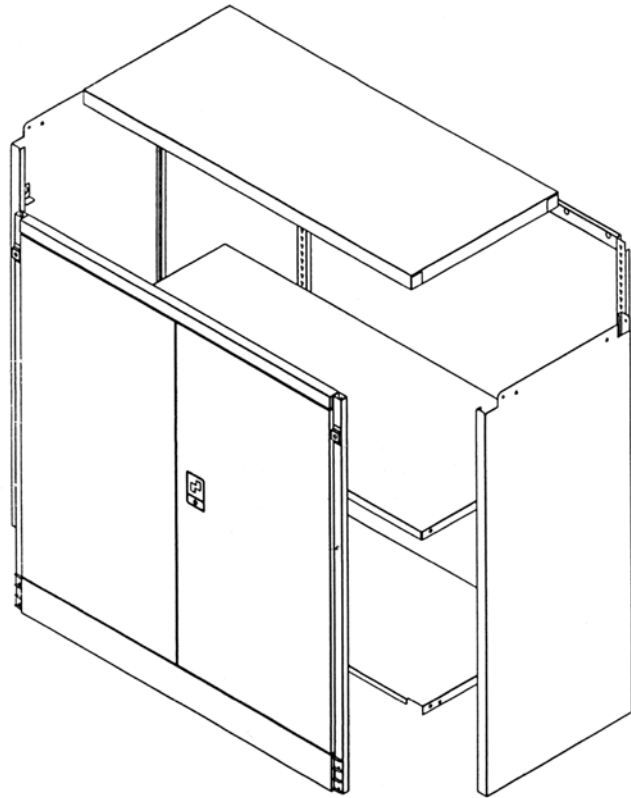
Self-tapping  
Screw (5x12): 5Pcs



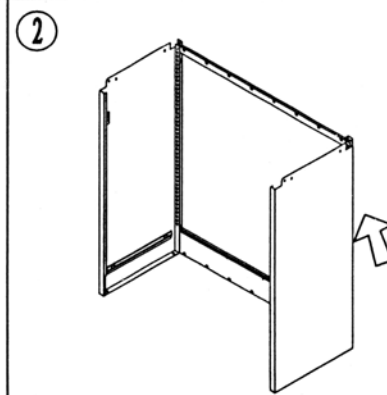
Key: 1 Set



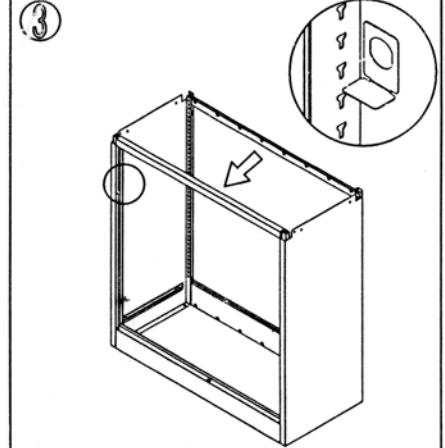
Door Pivot: 2Pcs



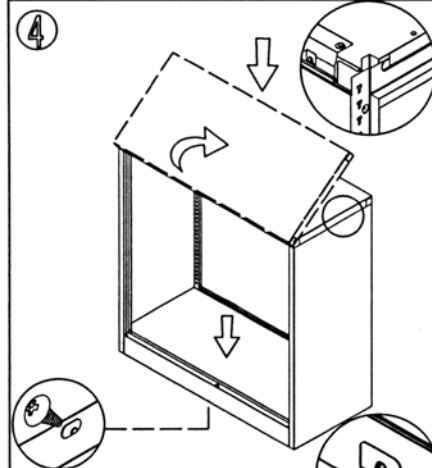
1 Bolt the left side and back plate with self-tapping screws (5x12)



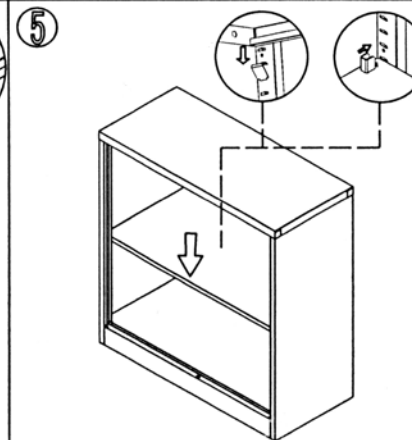
2 Bolt the right plate and back plate in the same way as the first step



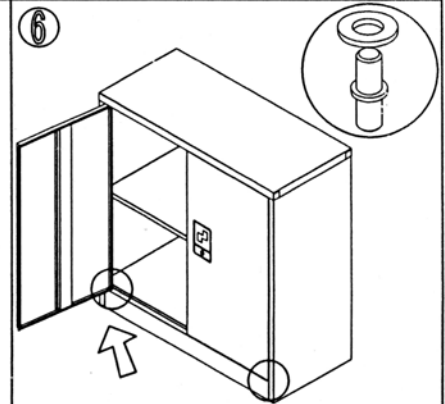
3 Fix the door frame onto both of the side plates



4 Install the top, bottom plate



5 Install the shelf



6 Install the doors as the sign, Adjust each parts till fit well after installation