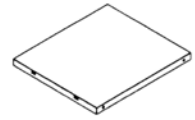


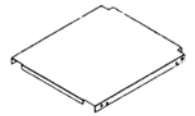
Back Plate:1Pc



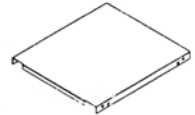
Door Frame:1Pc



Top Plate:1Pc



Middle plate:5pcs



Bottom Plate:1Pc



Side Plate  
(Left):1Pc

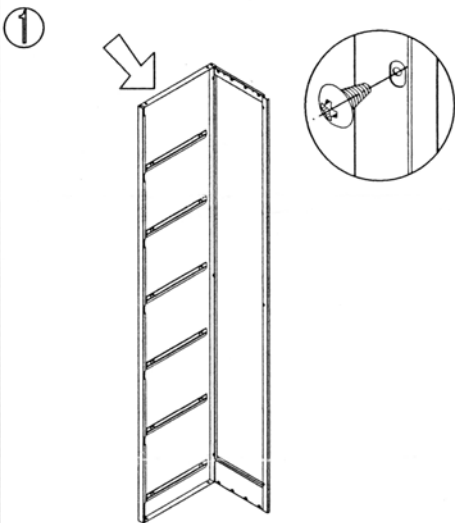


Side Plate  
(Right):1Pc

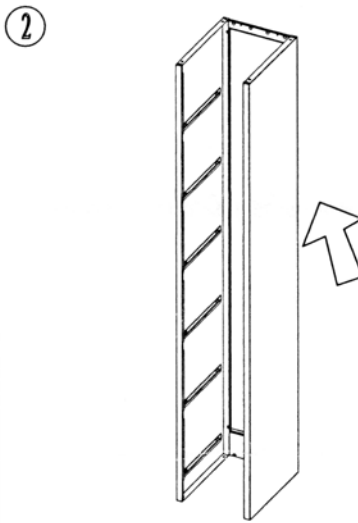


Self-tapping  
Screw(5x12):10Pcs

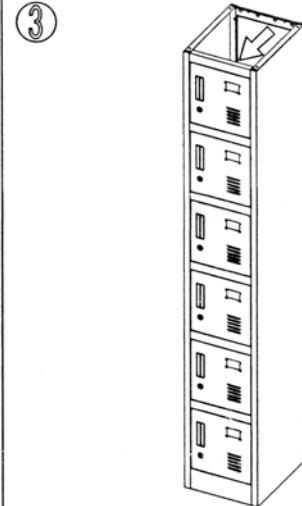
[www.blax.hu](http://www.blax.hu)



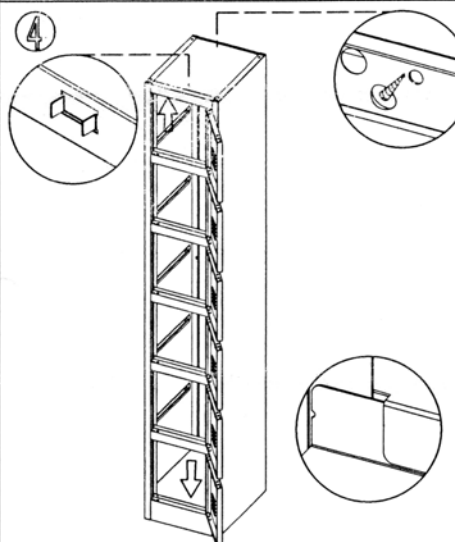
① Bolt the side plate and back plate with self-tapping screws(5x12)



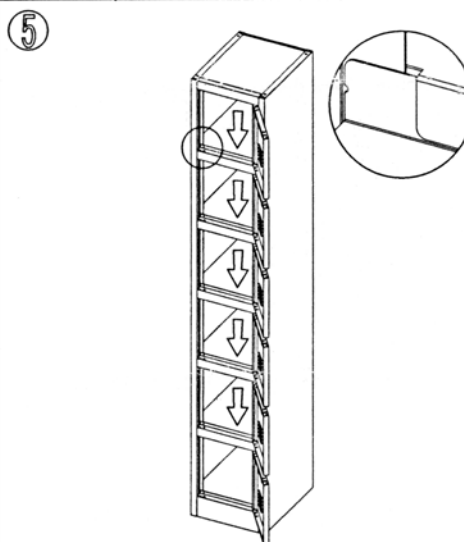
② Bolt the right plate and back plate in the same way as the first step



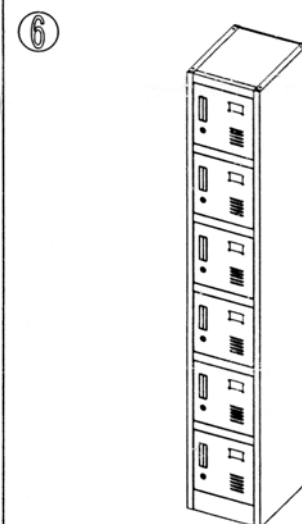
③ Fix the door frame onto both of the side plates



④ Install the top and bottom plate respectively



⑤ Install the middle plates



⑥ Adjust each part till fit well after installation.