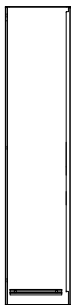
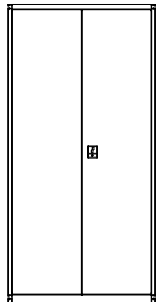


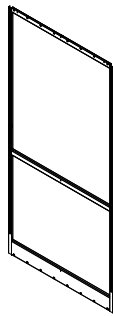
Left Side:1Pc



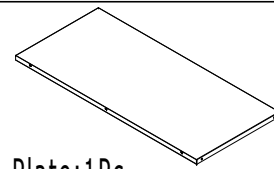
Right Side:1Pc



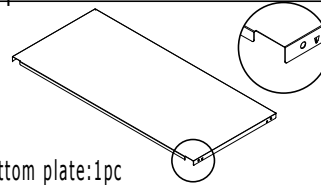
Door Frame:1Pc



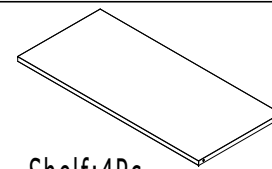
Back Plate:1Pc



Top Plate:1Pc



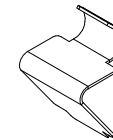
Bottom plate:1pc



Shelf:4Pc



Shelf Locking Clip: 16Pcs

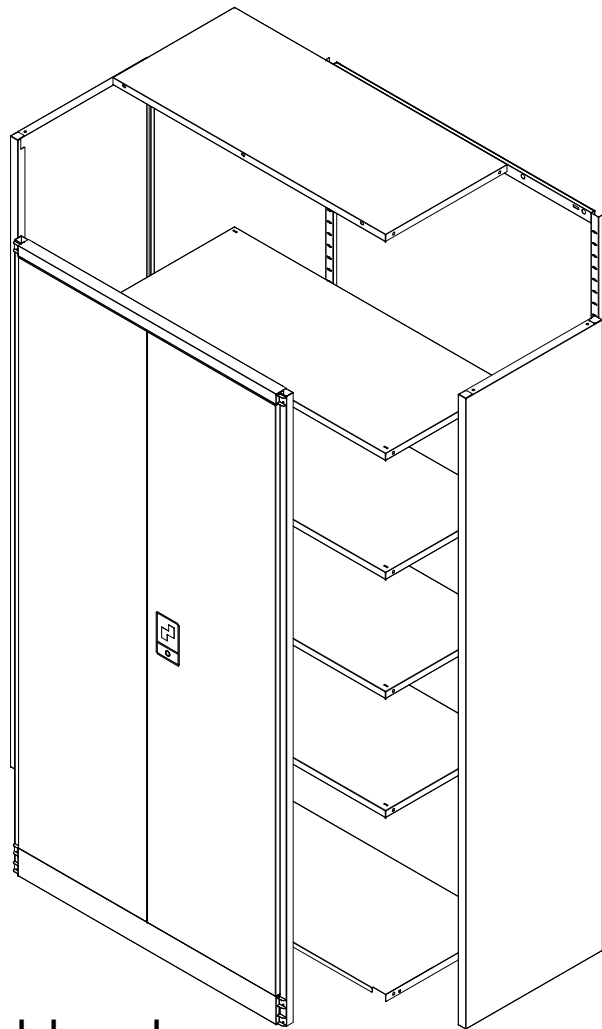


Shelf Holder:16Pcs

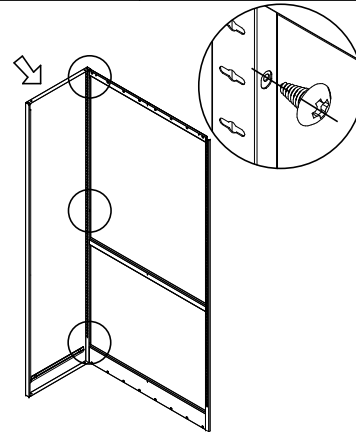
Self-tapping Screw(5x12):14Pcs



Key:1 Set

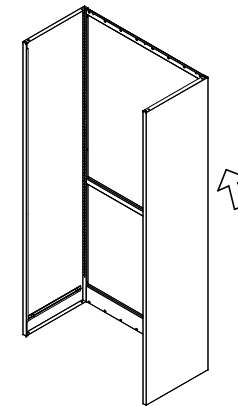


①



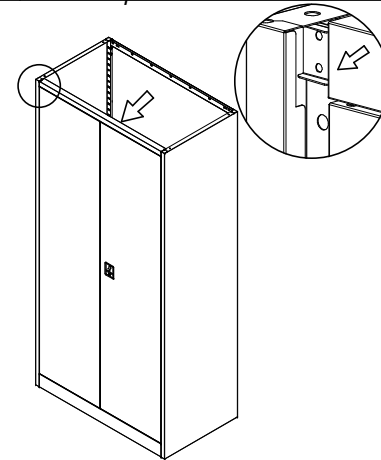
Bolt the left side and back plate with self-tapping screws(5x12)

②



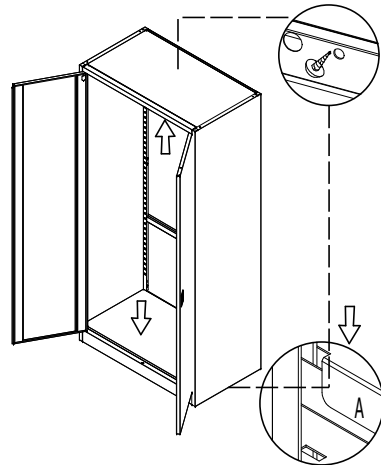
Bolt the right plate and back plate in the same way as the first step

③



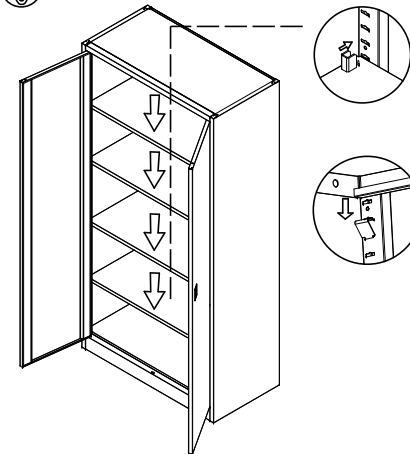
Fix the door frame onto both of the side plates

④



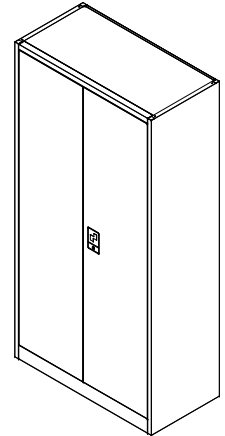
Install the top and bottom plate respectively

⑤



Install the shelves.

⑥



Adjust each parts till fit well after installation