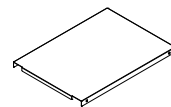


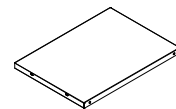
Back Plate:1Pc



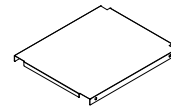
Door Frame:1Pc



Bottom plate:1pc



Top Plate:1Pc



Middle plate:1pc



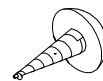
Side Plate (Left):1Pc



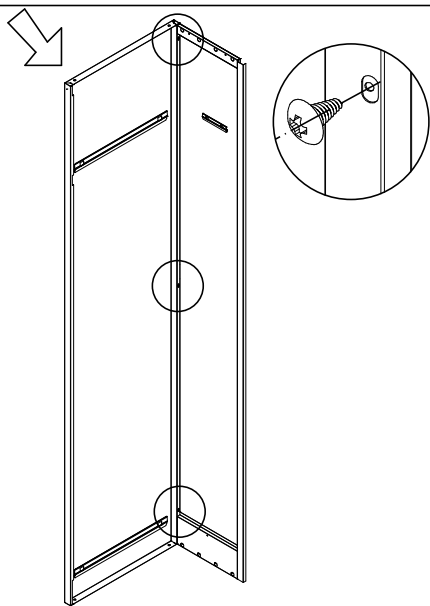
Side Plate (Right):1Pc



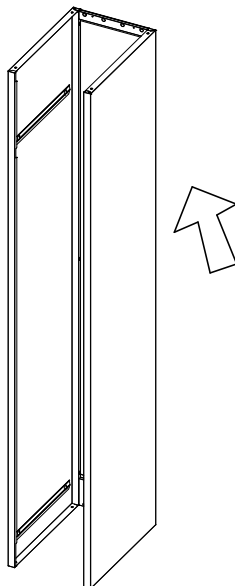
Key:4Pcs



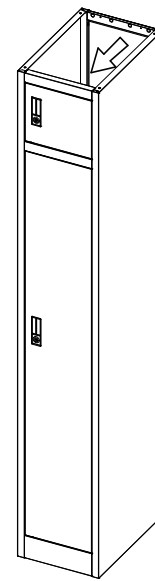
Self-tapping Screw(5x12):10Pcs



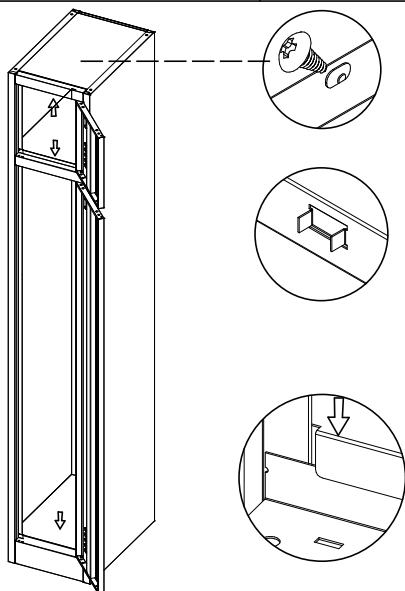
① Bolt the side plate and back plate with self-tapping screws(5x12)



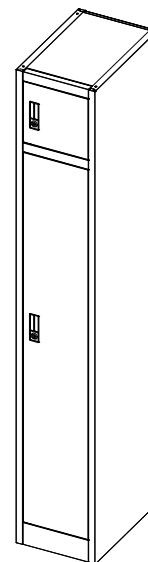
② Bolt the other side plate in the same way as the first step



③ Fix the door frame onto both of the side plates



④ Install the top plate ,bottom plate and middle plate as the sign



⑥ Adjust each part till fit well after installation.